

Freedom Accessible Shower Pan 50" x 50"



Lifetime limited warranty

Model
APF5050BFPAN

50 1/2" x 50 1/8" x 4 1/2"

Interior dimension of 48" x 48"
to meet Veterans Affairs code
requirements

One Piece Shower Pan

1" Barrier Free threshold with
pre-leveled and reinforced
shower base for easy
installation

Textured Floor

Durable, luxurious and easy
to clean applied acrylic

Accessories available:
Grab bars, folding shower
seat, weighted shower
curtain and rod, slide bar
with handheld shower,
pressure balance valve,
caulkless drain

FREEDOM SHOWERS

MODEL: APF5050BFPAN Freedom Accessible Shower Pan

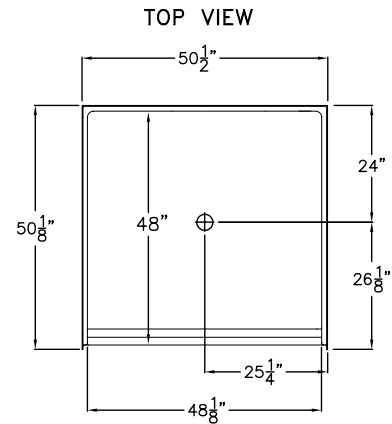
Submittal Data

Product Features

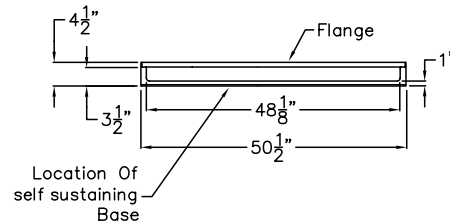
- 50 1/2" x 50 1/8" x 4 1/2"
- Interior dimension of 48" x 48" to meet Veterans Affairs code requirements
- 1" Barrier Free threshold with pre-leveled and reinforced shower base for easy installation
- Easy to clean applied acrylic
- Textured slip-resistant floor
- Center drain location

Code Compliance

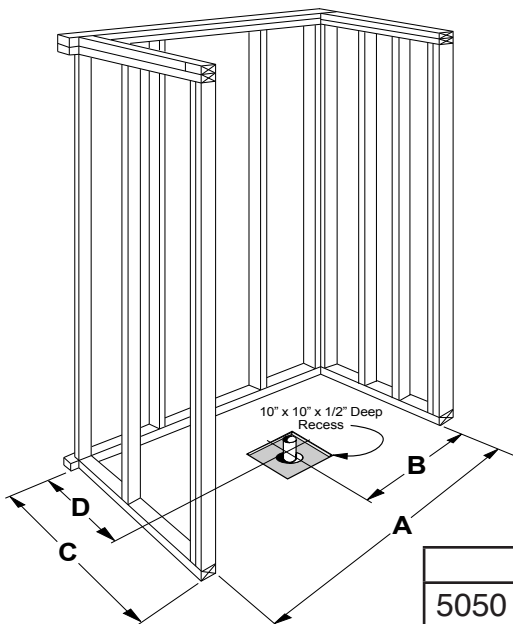
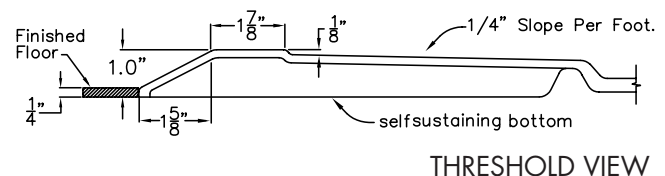
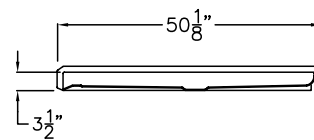
- IPC International Plumbing Code
- UPC Uniform Plumbing Code
- ANSI Z124.2 Standards for Plastic Showers
- Veterans Affairs
- CSA Canadian Standards Association



FRONT VIEW



SIDE VIEW



	A	B	C	D
5050 PAN	50 3/4"	25 3/8"	50 1/8"	24"