

Freedom Accessible Shower Pan 60" x 33"



Lifetime Limited Warranty

Model
APF6033BFPANC

60" x 33 3/8" x 4 1/2"

One Piece Shower Pan

3/4" barrier free threshold
with pre-leveled and
reinforced shower base
for easy installation

Textured Floor

Durable, luxurious and
easy to clean applied acrylic

Accessories available:
Grab bars, folding shower
seat, collapsible water
retainer, weighted shower
curtain and rod, slide bar
with handheld shower,
pressure balance valve,
caulkless drain

FREEDOM SHOWERS

MODEL: APF6033BFPANC Freedom Accessible Shower Pan

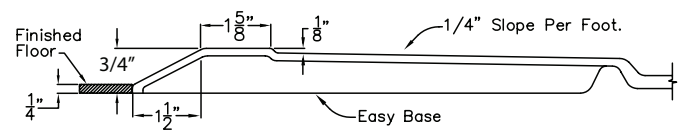
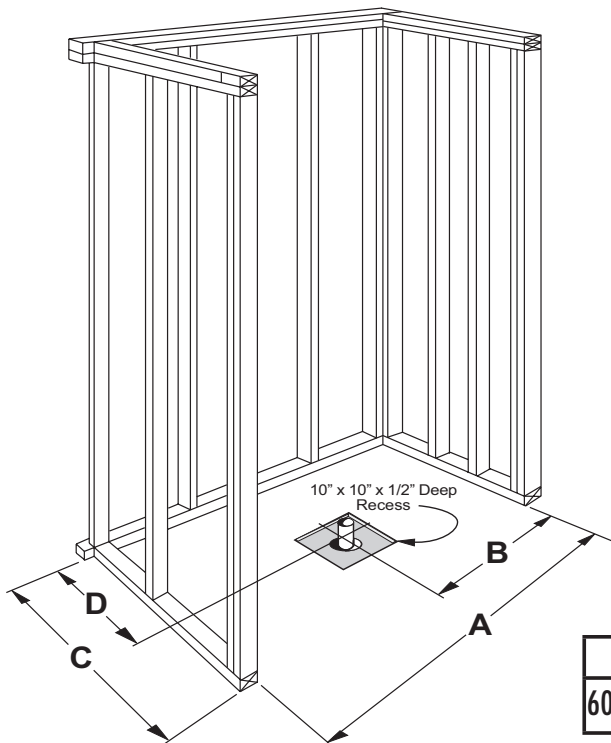
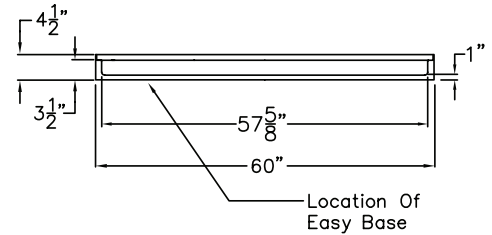
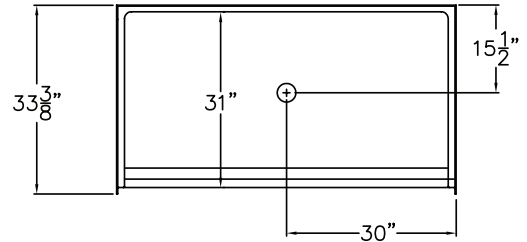
Submittal Data

Product Features

- 60" x 33 3/8" x 4 1/2"
- 3/4" barrier free threshold.
- Self-supporting and pre-leveled shower base eliminates mud setting.
- Easy to clean applied acrylic
- Textured slip-resistant floor
- Center drain location

Code Compliance

- IPC International Plumbing Code
- UPC Uniform Plumbing Code
- ANSI Z124.2 Standards for Plastic Showers
- CSA Canadian Standards Association



THRESHOLD VIEW

| | A | B | C | D |
|----------|-----|-----|---------|---------|
| 6033 PAN | 60" | 30" | 33 3/8" | 15 1/2" |